

IS 5091

NON SPARKING CUM RESTRICTED BREATHING
WELLGLASS LUMINARIES



Mechanical Data

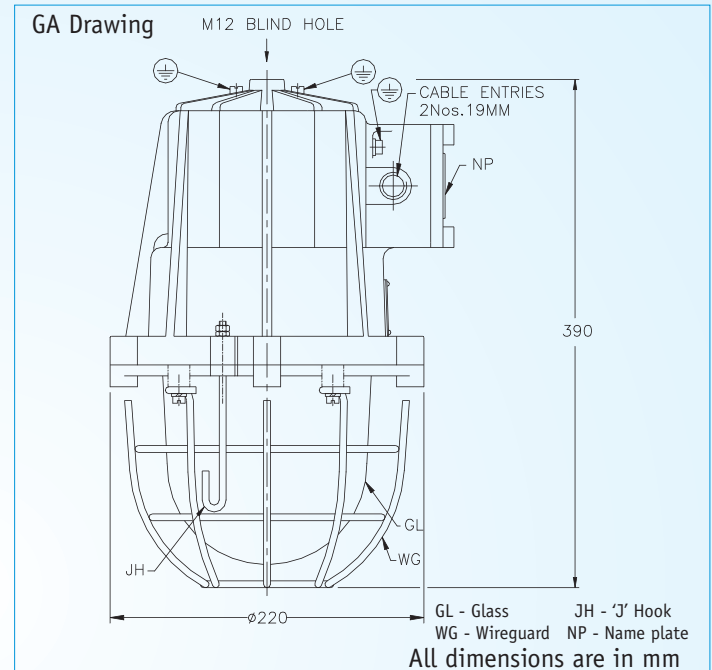
Material	: Aluminium LM6
Weight	: 8.2 Kg (Approx)
IP Protection	: IP 65 as per IS 13947 - 1993 / IEC 60529 - 1989
Finish	: Anti corrosive Epoxy powder coated
Cable Entry	: 2 x (0.75" ET / 0.5" NPT / BSP / M20)
Glass	: Borosilicate Clear
Wireguard	: 5 mm Welded Steel Construction
Reflector	: Mild Steel - Vitreous Enamelled
Suspension	: Type 'B' Ceiling bracket
Hinge	: 'J' bolt / chain
Gasket	: Neoprene
Hardware	: Stainless Steel

Electrical Data

Voltage	V : 230 V AC , 50 Hz
Lamp Wattage	W: Refer to table
Lamp Holder	: Porcelain Enclosed break - ES cap - E27
Wiring	: Fibreglass class F insulated 2.5 sq.mm Stranded copper
Terminals	: 2 Nos - Anti- vibration brass nickel plated mounted on a glass fibre reinforced DMC Terminal block
Max. Cable size	: 3C x 6 sq.mm
Earthing	: External 2 Nos - M6 Internal 1 No - M5

Description

Non sparking cum rusticated breathing well glass luminaire with integral control gear. The heat resistant glass is fitted with a special U section gasket and clamped to the main body by a retaining ring. An enclosed break lamp holder with a special device for vibration free lamp locking is provided. Anti-vibration terminals are used for safe termination.

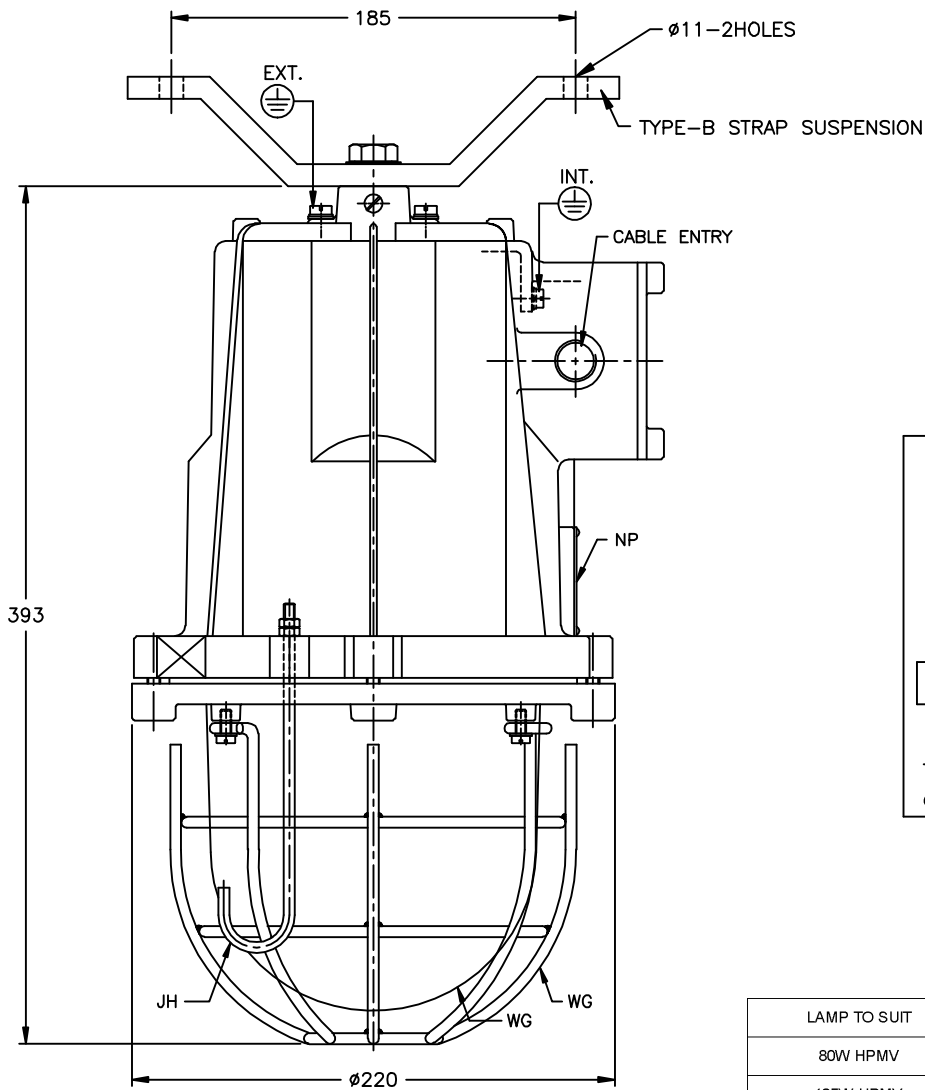


Type of protection	Non sparking cum Restricted Breathing
Area Classification	Zone 2
Apparatus Standard	IS - 13346/04 (IEC:60079-0/00) IS/IEC 60079-15/05 IS-12063/87 (IEC:60529/89)
CIMFR Certificate No.	CIMFR / TC/P / 800
Approvals	CCE
Temp Rating	Refer to table
Wattage Rating	Refer to table

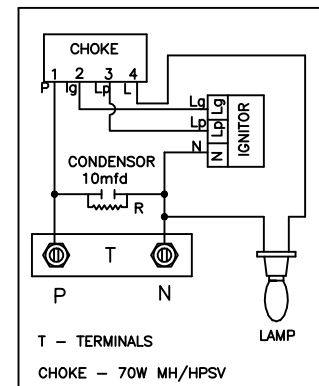
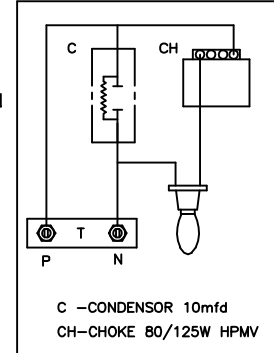
LAMP RATING (W)	TEMP CLASS	TYPE CONTROL GEAR
80W HPMV	T5	INTEGRAL TYPE
125W HPMV	T4	INTEGRAL TYPE
250W HPMV	T3	NON - INTEGRAL TYPE
70W HPSV	T5	INTEGRAL TYPE
150W HPSV	T4	NON - INTEGRAL TYPE
70W MH	T5	INTEGRAL TYPE
150W MH	T4	NON - INTEGRAL TYPE
250W MH	T3	NON - INTEGRAL TYPE
250W HPSV	T3	NON - INTEGRAL TYPE

IF IN DOUBT ASK

DO NOT SCALE



WIRING DIAGRAM



NOTES:

- GL -WELLGLASS (BOROSILICATE CLEAR GLASS)
- WG -WIRE GUARD (M.S, EPOXY POWDER COATED - WHITE COLOUR)
- JH -"J" HOOK
- LAMP TO SUIT - REFER TABLE
- LAMP HOLDER -ES (27/40)
- INT. REFLECTOR -AL. POLISHED
- NP -NAME & WARNINGPLATE (SS)
- HARDWARE -SS304

ALL DIMENSIONS ARE IN MM.

LAMP TO SUIT	TEMP CLASS	TYPE
80W HPMV	T5	INTEGRAL TYPE
125W HPMV	T4	INTEGRAL TYPE
250W HPMV	T3	NON - INTEGRAL TYPE
70W HPSV	T5	INTEGRAL TYPE
150W HPSV	T4	NON - INTEGRAL TYPE
70W MH	T5	INTEGRAL TYPE
150W MH	T4	NON - INTEGRAL TYPE
250W MH	T3	NON - INTEGRAL TYPE
250W HPSV	T3	NON - INTEGRAL TYPE

CABLE ENTRY : 2No. 0.75 ET	CUSTOMER : -	TITLE : Exn-R NON SPARKING CUM RESTRICTED BREATHING WELL GLASS LUMINAIRE			
	CONSULTANT : -	CAT No. : IS-5091			
	PROJECT: -	CLASSIFICATION: Exn'R' ZONE 2 IP65			
	P.O No.: -	WT: 6.5Kgs (APPROX.)	MATL: AL. LM-6	ITEM No.: -	QTY.: -
	FINISH : EPOXY POWDER COATED LIGHT GREY (SHADE-631 OF IS:5)	TOLERANCE : ±5mm SCALE N.T.S		FOR INFORMATION ONLY	
CMRI : CIMFR/TC/P/800 DT. 11.12.2008	IS:13346/04 (IEC:60079-0/00)	NAME	DATE		
CCE : P227231/1 Dt: 06/04/09	IS/IEC 60079-15/05	REV-1			
	IS:12063/87 (IEC:60529/89)	REV-2		SHEET 1 OF 1	
Baliga		DRN. S.S	18.03.09	DRG. NO.	REV
Baliga Lighting Equipments Private Limited, KOVILAMBAKKAM, CHENNAI-600 117, INDIA.		CHKD.		QE50910001	0
		APPD.			

केन्द्रीय खनन एवं ईंधन अनुसंधान संस्थान

(वैज्ञानिक तथा औद्योगिक अनुसंधान परिषद)
बरवा रोड, धनबाद - 826015, झारखण्ड (भारत)



ORIGINAL COPY

CENTRAL INSTITUTE OF MINING AND FUEL RESEARCH

Formerly : Central Mining Research Institute
(COUNCIL OF SCIENTIFIC & INDUSTRIAL RESEARCH)
BARWA ROAD, DHANBAD - 826015, JHARKHAND (INDIA)

REGISTERED POST/COURIER SERVICE

Speed Post

No. CIMFR/TC/P/800
Equipment ID NO. 118/08

Dated: //th December 2008
Code No. FLP/30B/08

To,
M/S. BALIGA LIGHTING EQUIPMENTS PRIVATE LIMITED,
389, MEDAVAKKAM ROAD, KOVILAMBAKKAM,
CHENNAI-600 117, INDIA

Sub: Non sparking cum Restricted breathing **Exn'R** testing as per IS/IEC 60079-15:2005 and weatherproof testing as per IS: 12063 -1987 (IEC 60529-1989) for your **Well Glass luminaire** as designated by **Cat No. IS 5091** for use in Zone 2 area only.

- Report on (PROTOTYPE)

Your Ref. No.: CIMFR/6/215/PROTO Dated: 19.12.2007
Declaration Letter No.: CIMFR/6/215 Dated: 19.11.2008

Dear Sir,

Please find enclosed the **Test Report (Prototype)** of the above samples submitted by you.

Charges of **Rs. 19,259/- (Rupees Nineteen thousand Two hundred Fifty Nine only)** including applicable service charges involved towards the testing /issuing the schedule have been adjusted against the advance deposit made by you.

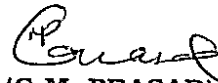
Kindly arrange to collect the sample within 90 days from the date of receipt of this letter failing which CIMFR would dispose off the sample by public auction without any further NOTICE to you.

Kindly acknowledge receipt.

Thanking you.

Yours faithfully,

Encl: As above.
Proto Test Report in Triplicate
Copy to: 1. Head, Flame & Explosion Lab.
2. Bill Section.


(G.M. PRASAD)
HEAD OF THE DEPARTMENT
TESTING CELL